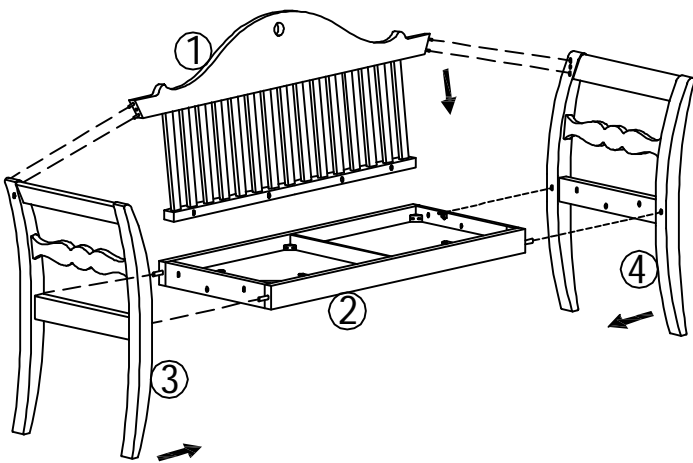
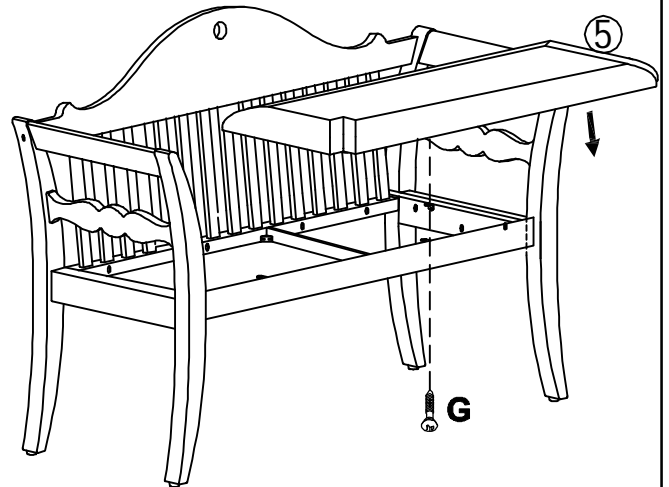


PARTS LIST				HARDWARE LIST			
NO.	Description	Sketch	QTY	NO.	Description	Sketch	QTY
1	Chair Back		1pc	A	Allen Bolts 1/4" X 1-3/4"		12pcs
2	Seat Frame		1pc	B	Spring Washers 1/4"		12pcs
3	Left Side		1pc	C	Flat Washers 1/4"X13mm		6pcs
4	Right Side		1pc	D	Flat Washers 1/4"X19mm		6pcs
5	Cushion		1pc	E	Allen Wrench 1/4"		1pc
				F	Chair Button		2pcs
				G	Wood Screws		4pcs

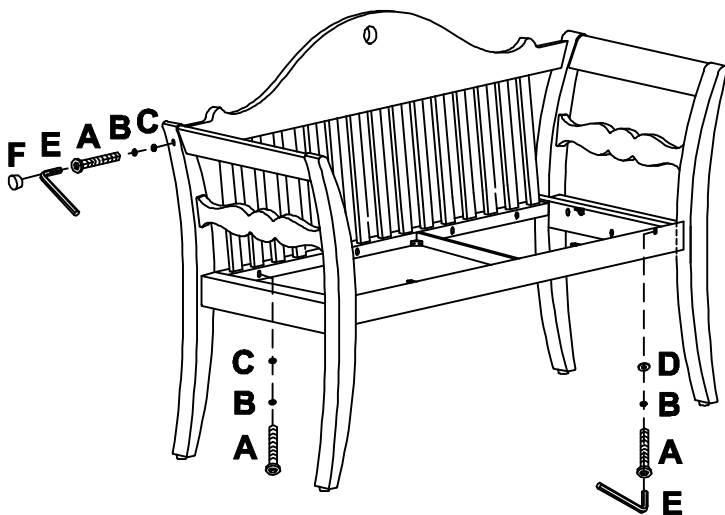
1 STEP:1



3 STEP:3



2 STEP:2



4 STEP:4

4) Assembly is completed.

