

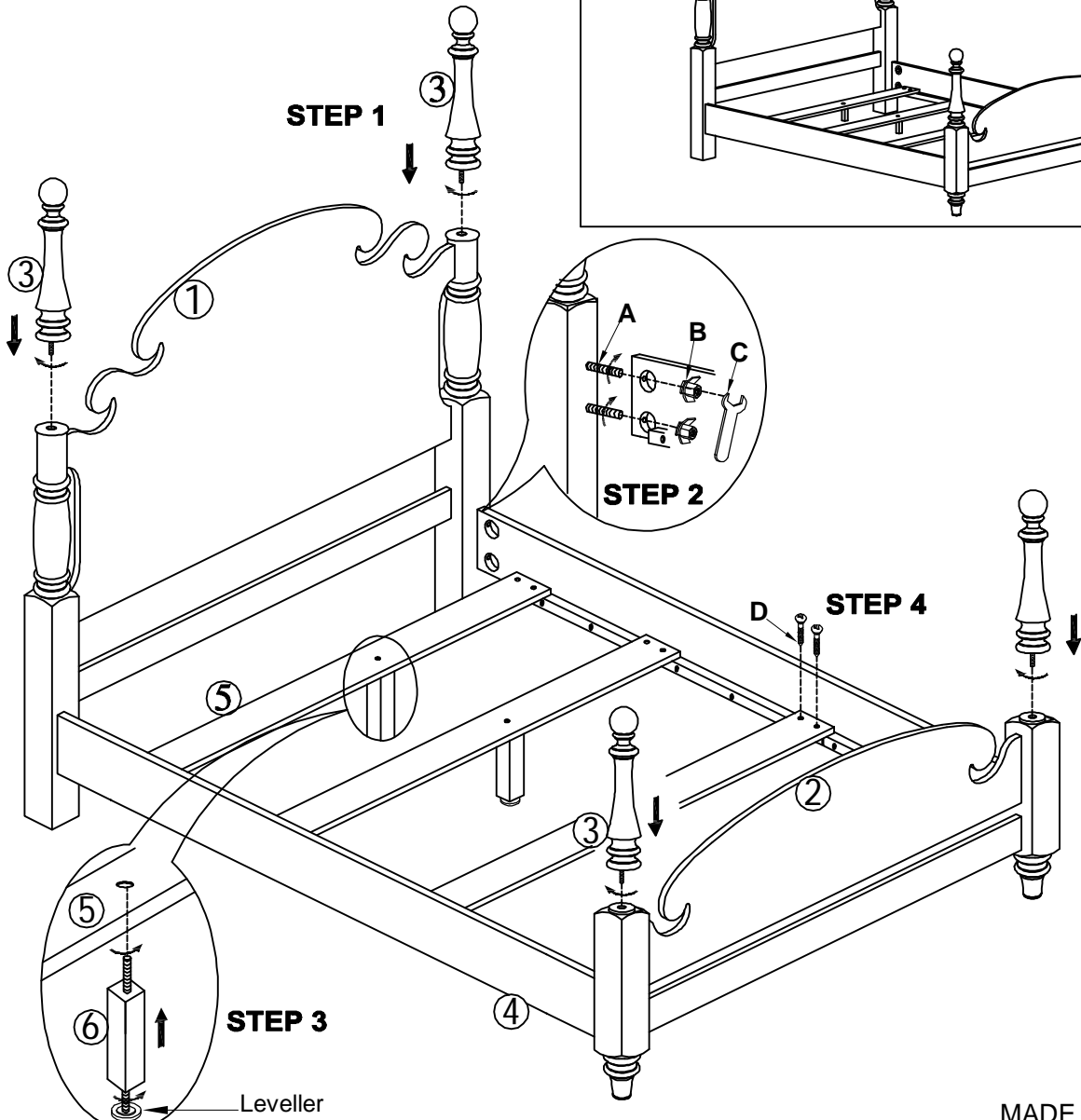
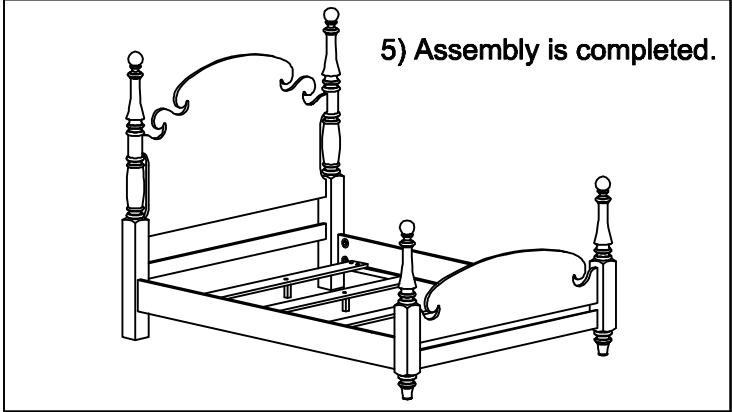


ASSEMBLY INSTRUCTIONS

Model # 2574004/2574104 - 5/0 Panel Post HB & FB (BK)

Model # 2579604 - Rails & Slats (BK)

PARTS LIST				HARDWARE LIST			
NO.	Description	Sketch	QTY	NO.	Description	Sketch	QTY
1	Headboard		1pc	A	Thread Bolts 5/16" X 3-1/2"		8pcs
2	Footboard		1pc	B	Hex Nuts 5/16"		8pcs
3	Top Finials		4pcs	C	Open End Wrench 5/16"		1pc
4	Side Rails		2pcs	D	Wood Screws		12pcs
5	Wood Slats		3pcs				
6	Leg Supprts		3pcs				



MADE IN VIETNAM